

Pacific Panel Systems

P.O. Box 2170

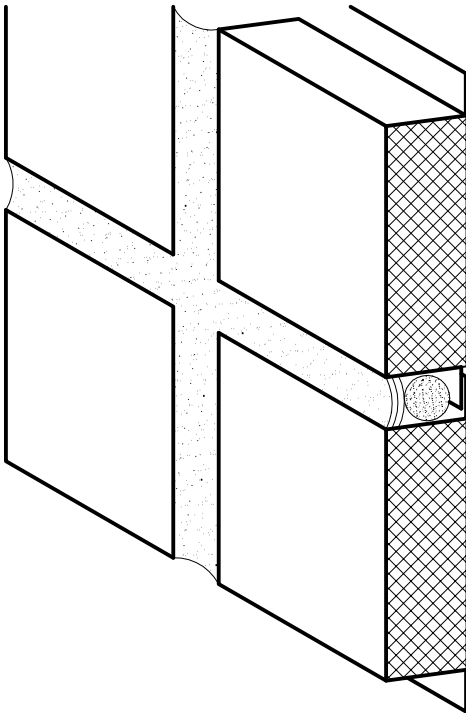
Fairview, Or 97024

office: 503-667-0650

fax: 503-296-2441

info@pacificpanelsystems.com

P-1 PANEL-WET



FEATURES/BENEFITS

Ease of installation

Cost effective alternate to composite panels

Non progressive installation allows for ease of installation of damaged panels

Little or no maintenance required

20 year paint warranty

P-1 panel features a polystyrene core that makes the panel ridged and durable, which allows for a wide range of interior and exterior applications

PANEL SYSTEM TESTED TO MEET

AAMA 501 Standards include

ASTM E283 Air penetration

ASTM E331 Water penetration

ASTM E330 Structural performance

AAMA 501.4 Seismic movement

MATERIALS

.040 Aluminum

24g-22g Pre-Finished Sheet Metal

Copper

Stainless Steel

Zinc

Other materials upon request

SIZES

Maximum panel size 3' 9" x 9' 8"

Optimum panel widths 21", 13"

Optimum panel lengths 117", 57", 37"

WEIGHT

22g sheet metal skin has an average weight of 1.3 psf

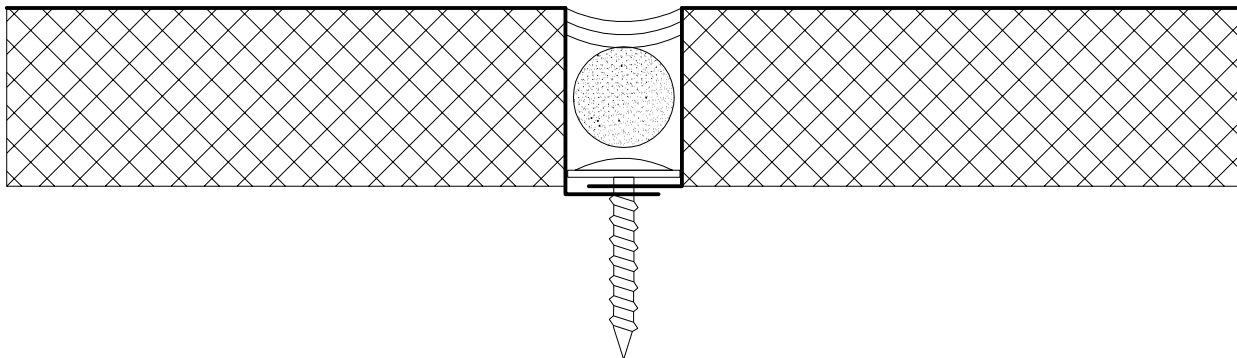
LEED

Possibly contribute to the following LEED credits

MR 4-Recycled Content

SS 7.2- Cool color paint system

MR 5- Regional Manufacturing



Pacific Panel Systems

P.O. Box 2170

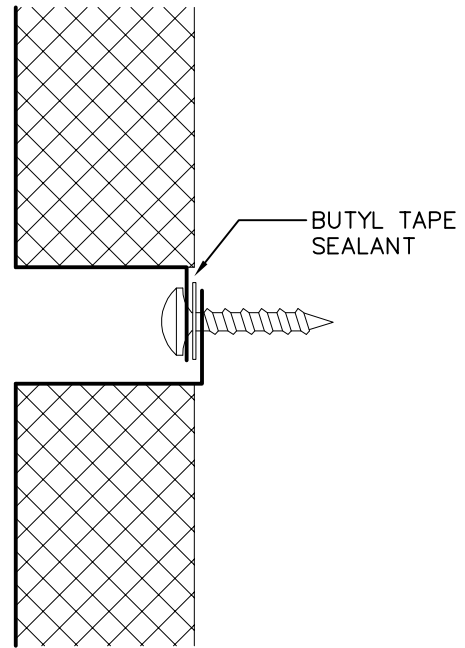
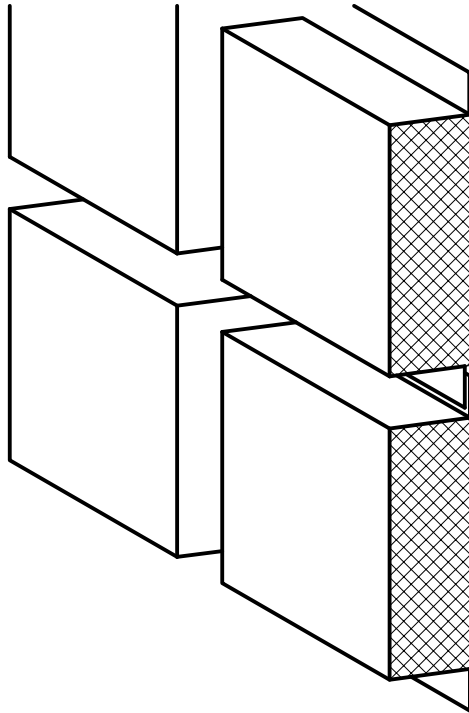
Fairview, Or 97024

office: 503-667-0650

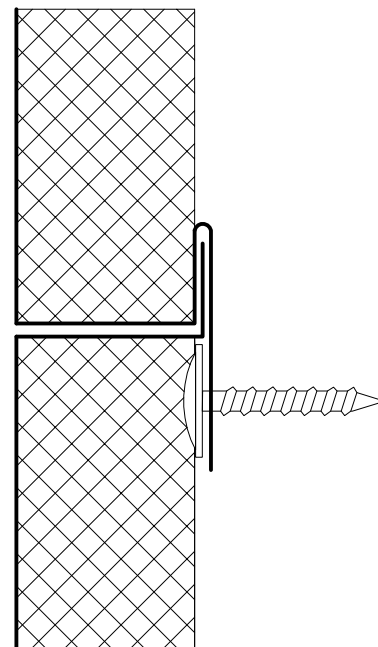
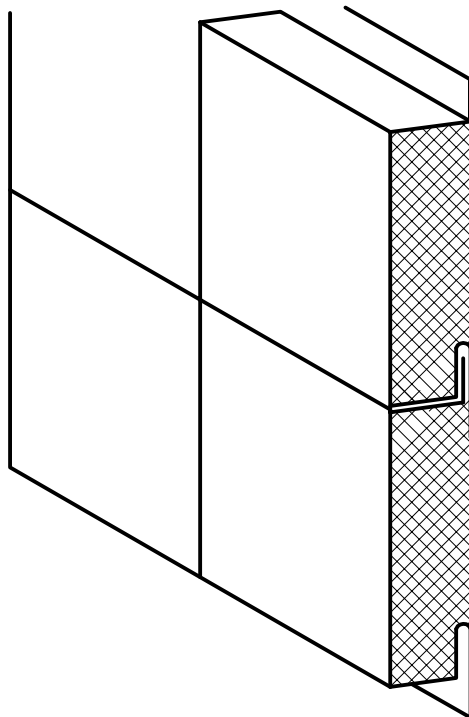
fax: 503-296-2441

info@pacificpanelsystems.com

ALTERNATE PANEL JOINT-DRY



ALTERNATE PANEL JOINT-FLUSH



Pacific Panel Systems

P.O. Box 2170

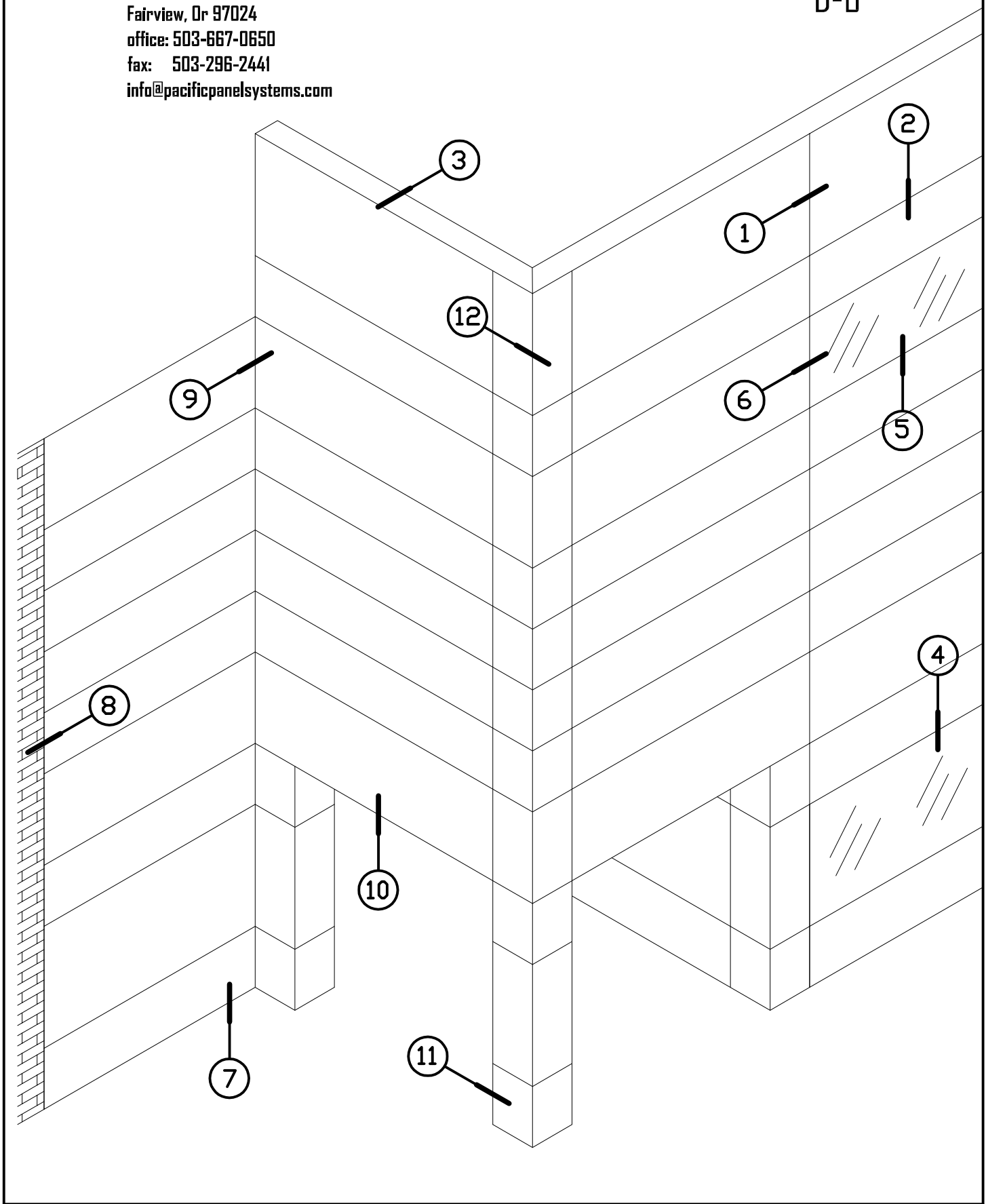
Fairview, Or 97024

office: 503-667-0650

fax: 503-296-2441

info@pacificpanelsystems.com

D-B



Pacific Panel Systems

P.O. Box 2170

Fairview, Or 97024

office: 503-667-0650

fax: 503-296-2441

info@pacificpanelsystems.com

D-A

P1 PANEL

THESE DETAILS ARE FOR BASIC DESIGNS CONCEPTS ONLY

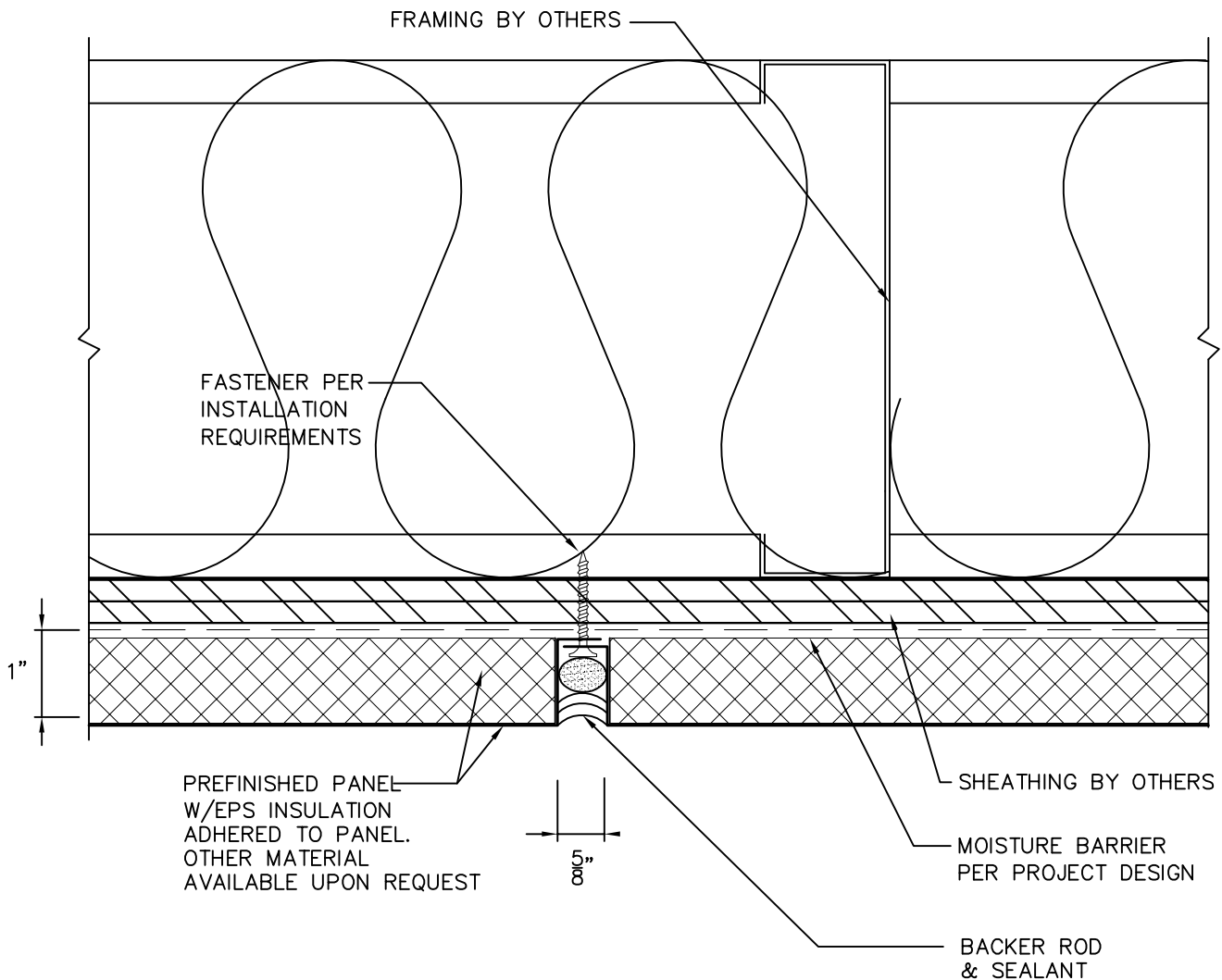
D-A	TABLE OF CONTENTS
D-B	REFERENCE ELEVATION
D-1	TYPICAL VERTICAL JOINT/REVEAL
D-2	TYPICAL HORIZONTAL JOINT/REVEAL
D-3	TYPICAL PARAPET
D-4	TYPICAL WINDOW HEAD
D-5	TYPICAL WINDOW SILL
D-6	TYPICAL WINDOW JAMBS
D-7	TYPICAL BASE
D-8	TYPICAL END WALL
D-9	TYPICAL INSIDE CORNER
D-10	TYPICAL SOFFIT
D-11	TYPICAL RECTANGULAR COLUMN COVER
D-12	TYPICAL OUTSIDE CORNER

Pacific Panel Systems

P.O. Box 2170
Fairview, Or 97024
office: 503-667-0650
fax: 503-296-2441
info@pacificpanelsystems.com

D-1

VERTICAL JOINT/REVEAL



Pacific Panel Systems

P.O. Box 2170

Fairview, Or 97024

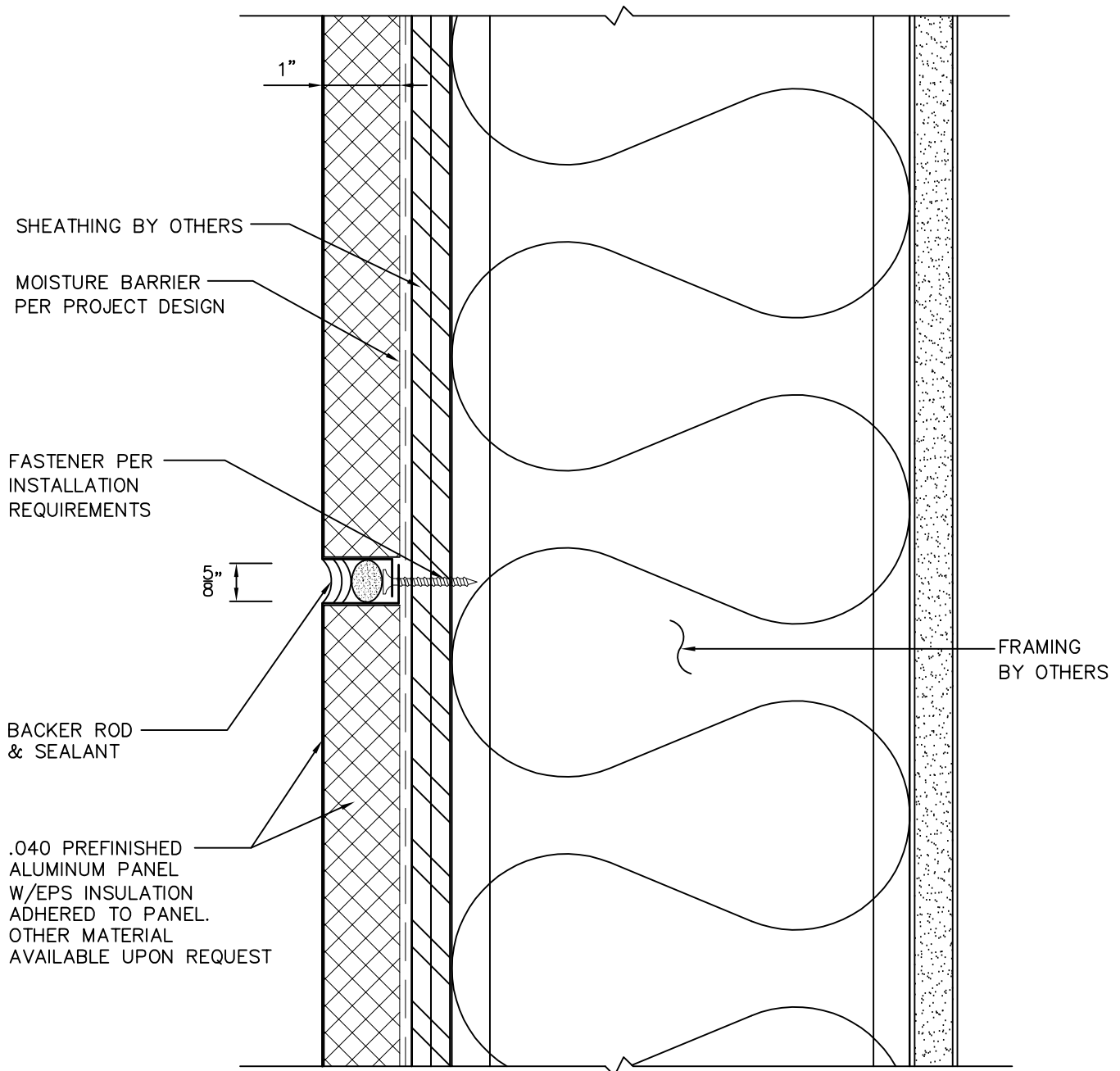
office: 503-667-0650

fax: 503-296-2441

info@pacificpanelsystems.com

D-2

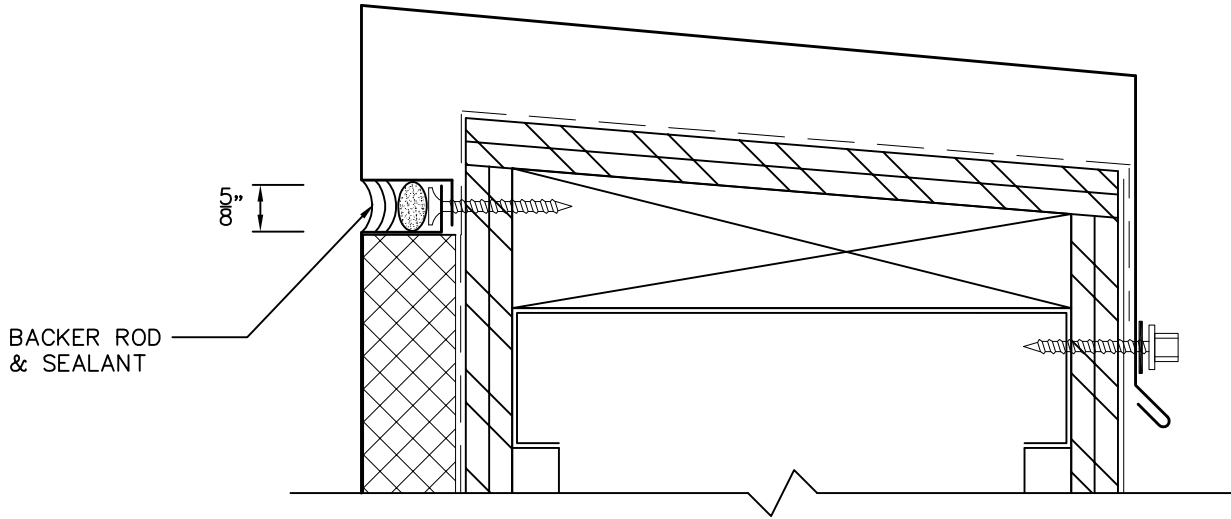
HORIZONTAL JOINT/REVEAL



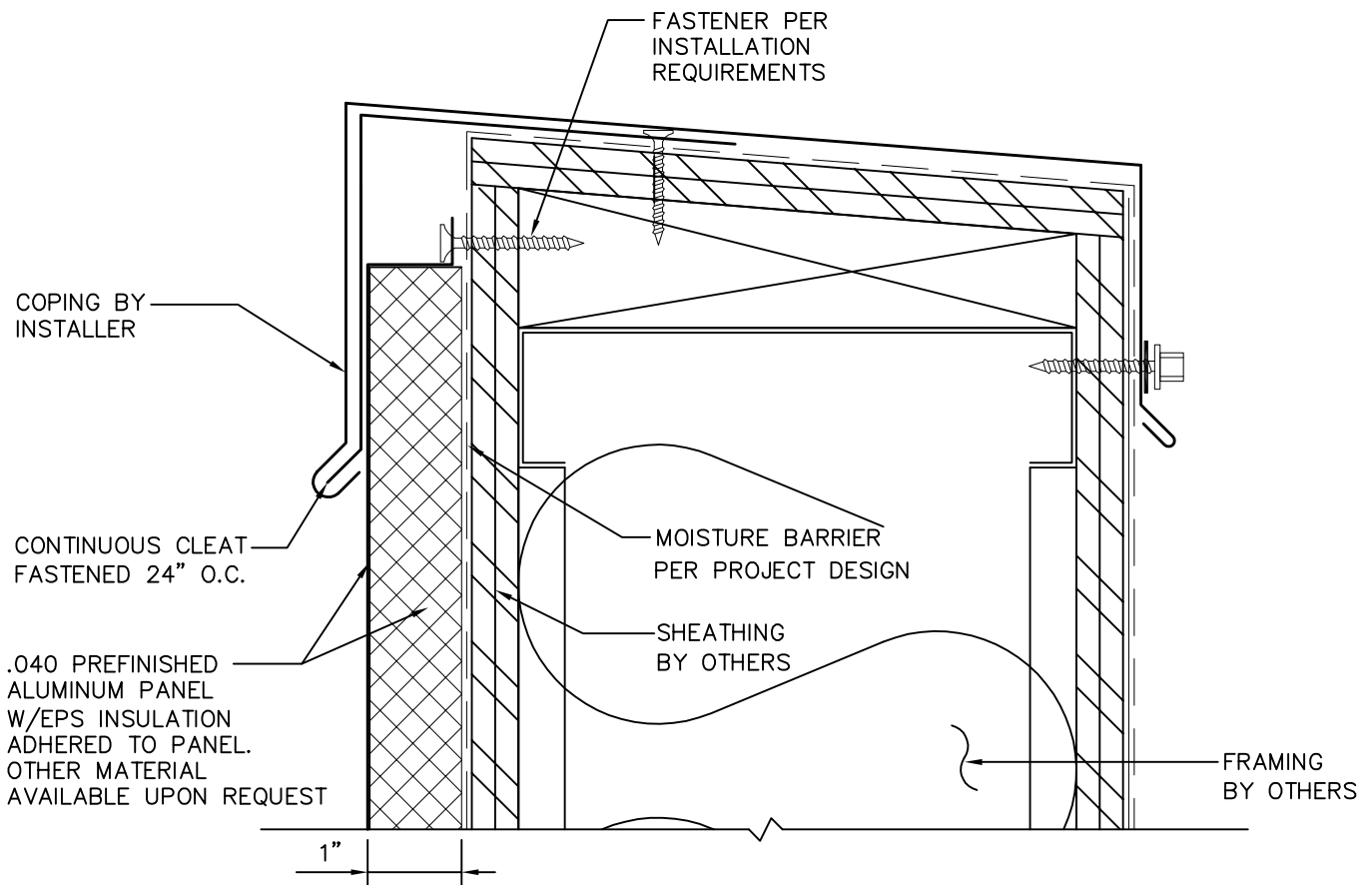
Pacific Panel Systems

P.O. Box 2170
Fairview, Or 97024
office: 503-667-0650
fax: 503-296-2441
info@pacificpanelsystems.com

D-3
PARAPET



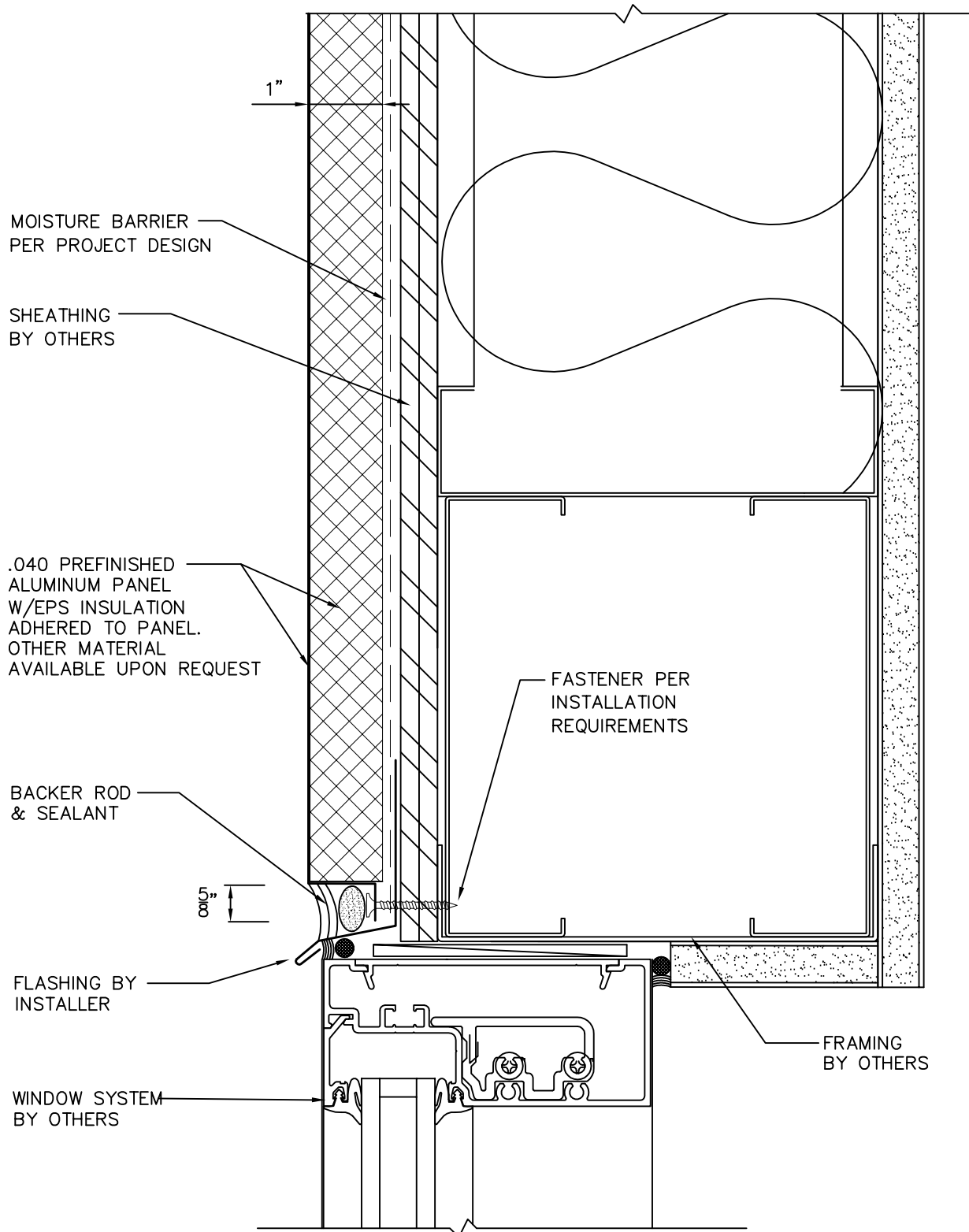
ALTERNATE PARAPET



Pacific Panel Systems

P.O. Box 2170
Fairview, Or 97024
office: 503-667-0650
fax: 503-296-2441
info@pacificpanelsystems.com

D-4
WINDOW HEAD

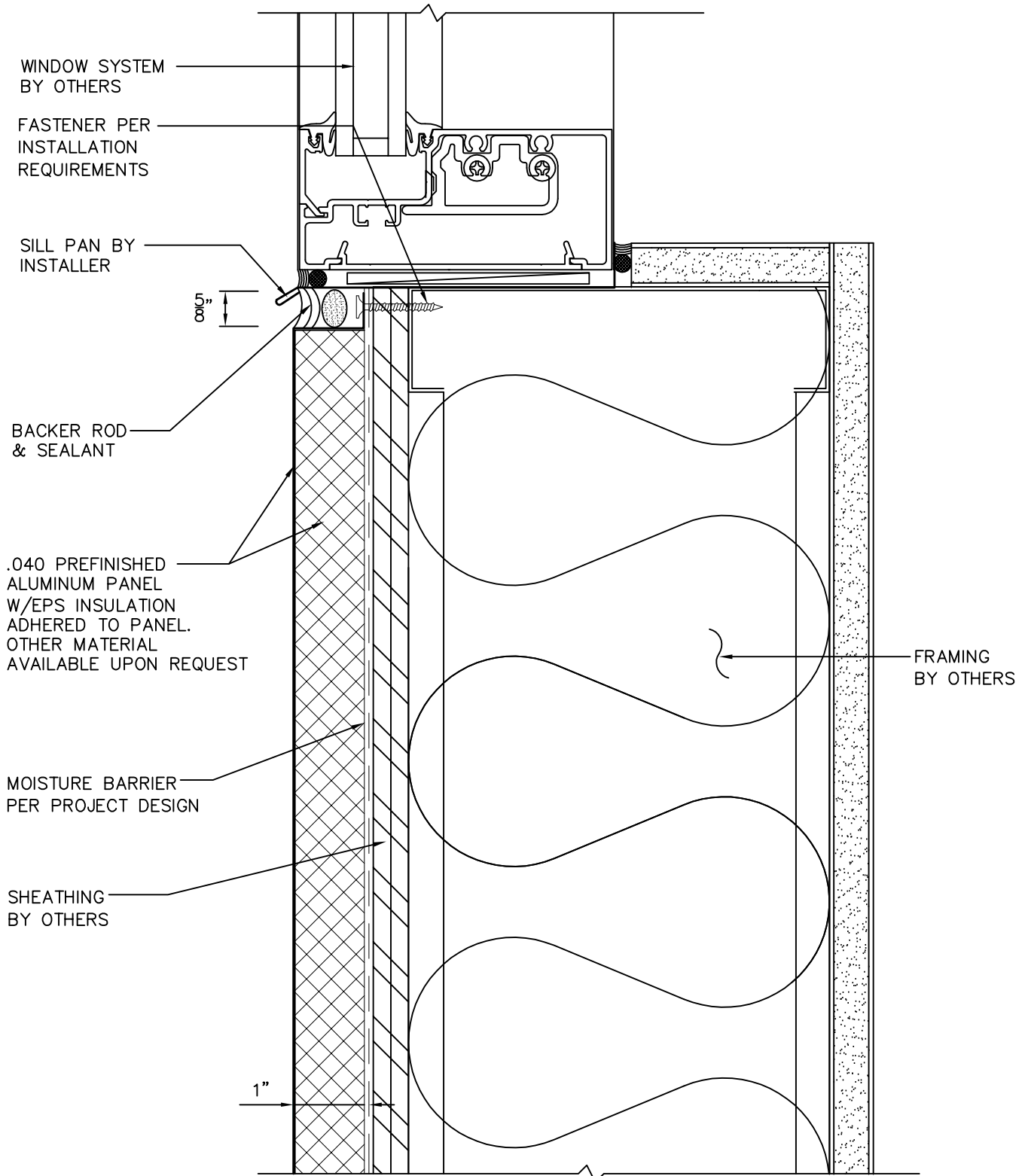


Pacific Panel Systems

P.O. Box 2170
Fairview, Or 97024
office: 503-667-0650
fax: 503-296-2441
info@pacificpanelsystems.com

D-5

WINDOW SILL

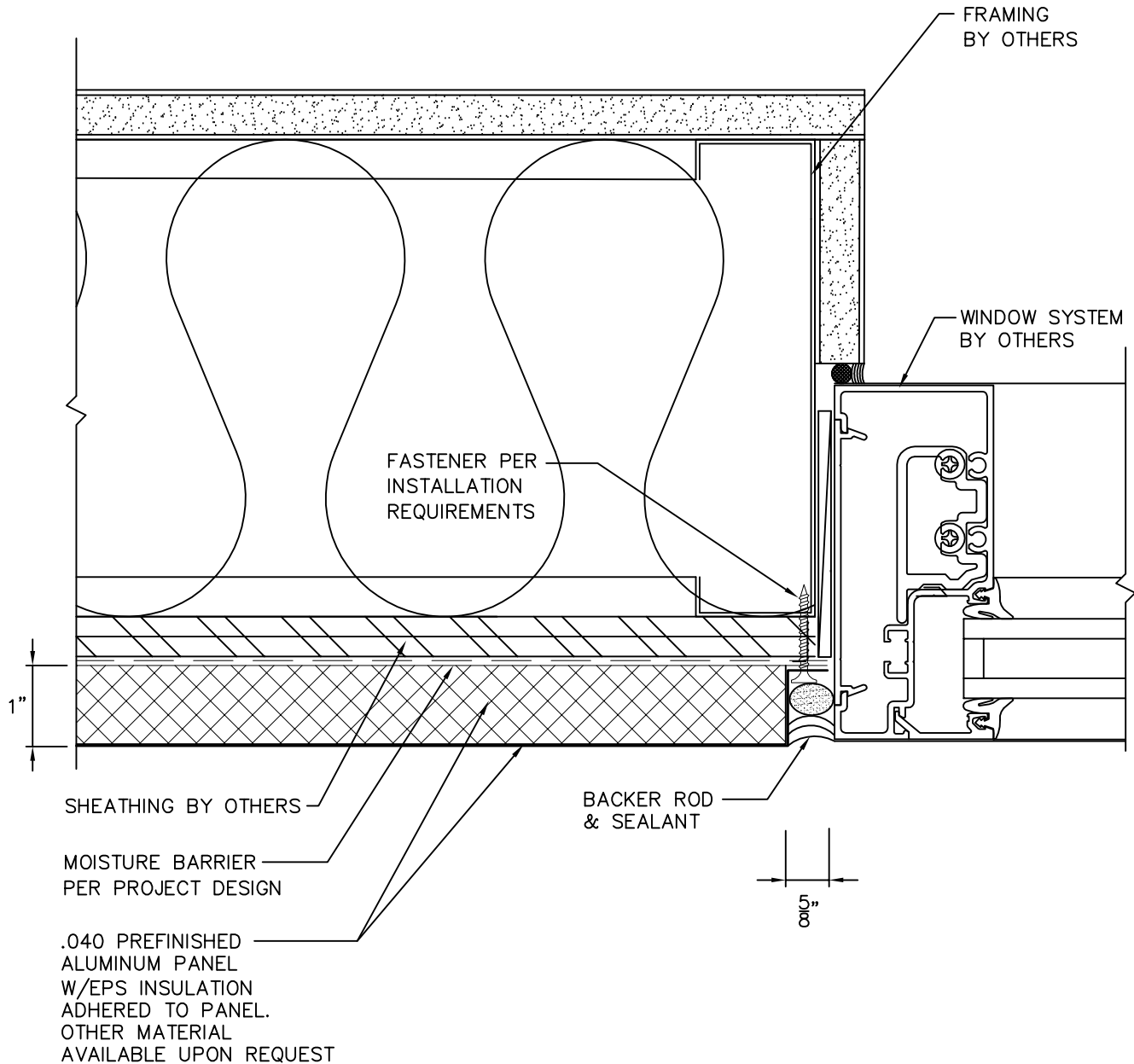


Pacific Panel Systems

P.O. Box 2170
Fairview, Or 97024
office: 503-667-0650
fax: 503-296-2441
info@pacificpanelsystems.com

D-6

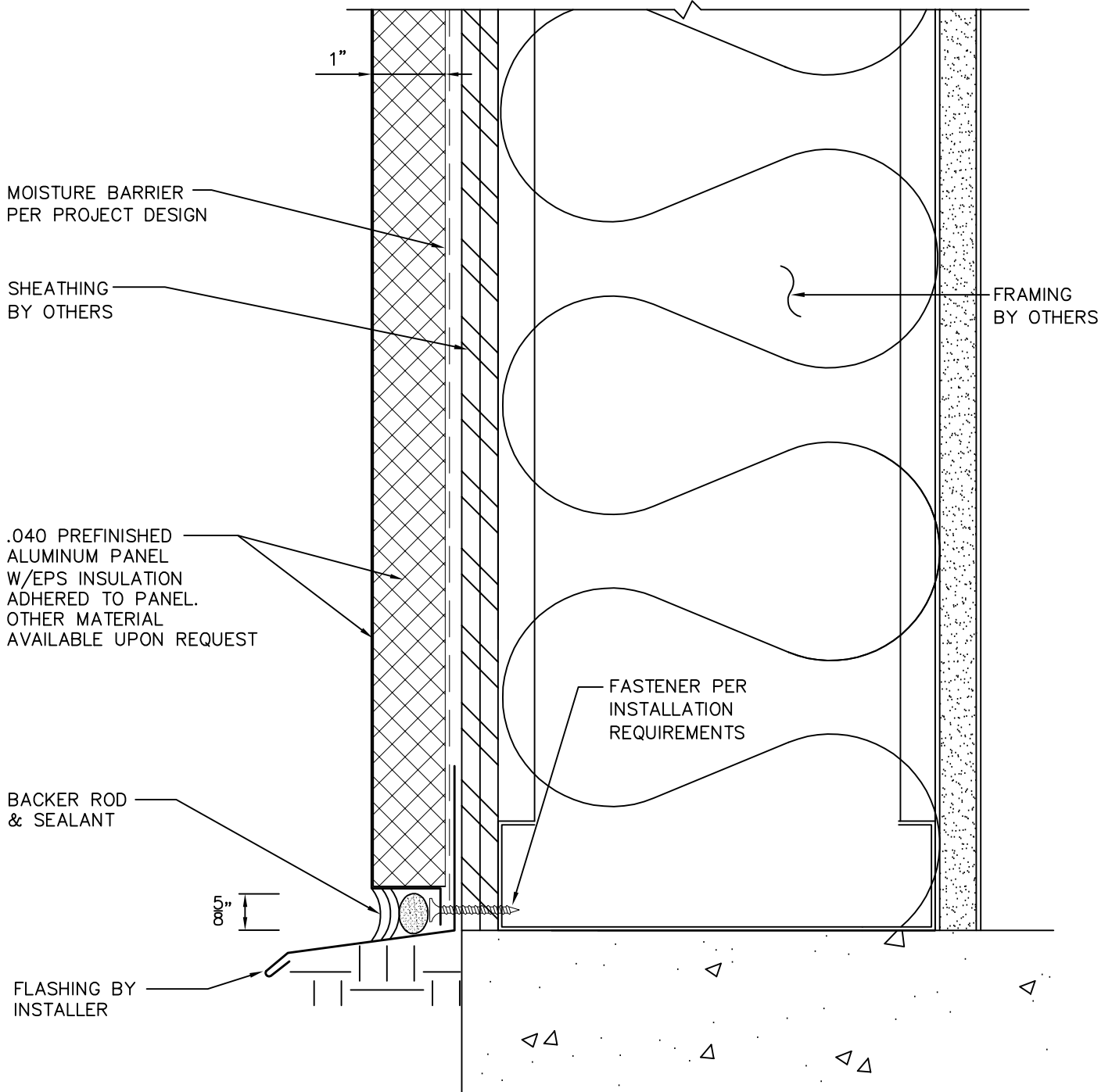
WINDOW JAMB



Pacific Panel Systems

P.O. Box 2170
Fairview, Or 97024
office: 503-667-0650
fax: 503-296-2441
info@pacificpanelsystems.com

D-7
BASE

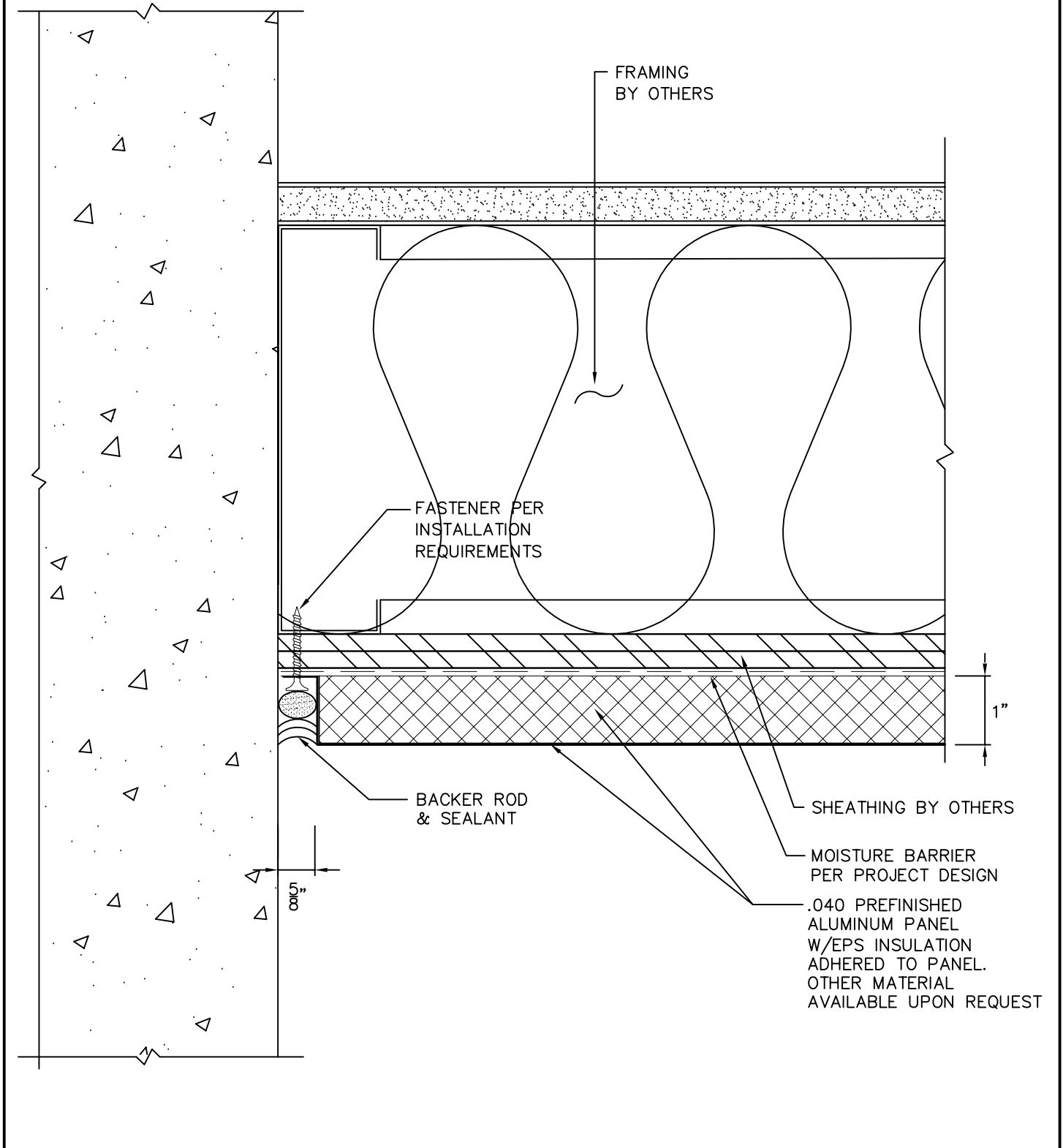


Pacific Panel Systems

P.O. Box 2170
Fairview, Or 97024
office: 503-667-0650
fax: 503-296-2441
info@pacificpanelsystems.com

D-8

END WALL



Pacific Panel Systems

P.O. Box 2170

Fairview, Or 97024

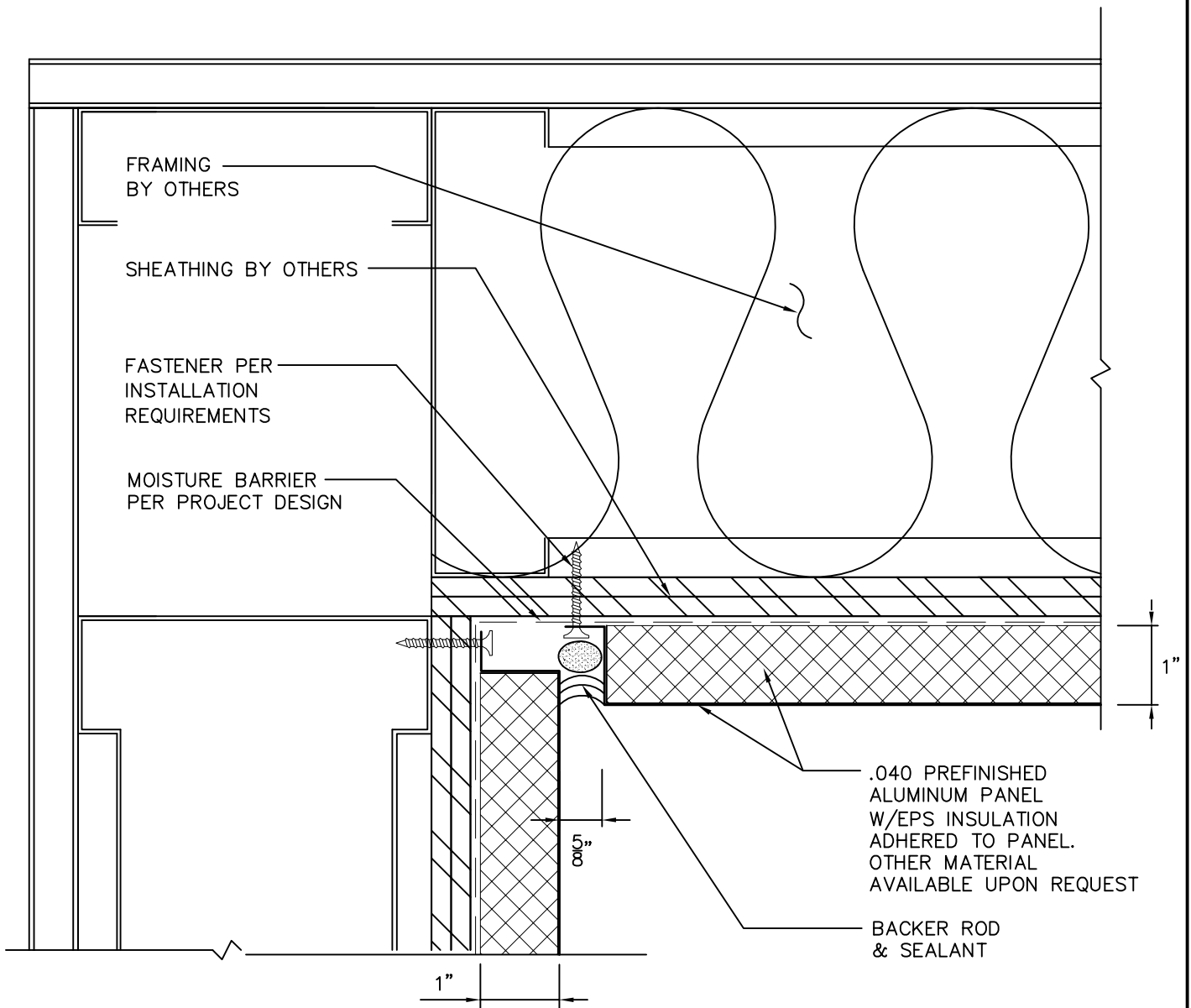
office: 503-667-0650

fax: 503-296-2441

info@pacificpanelsystems.com

D-9

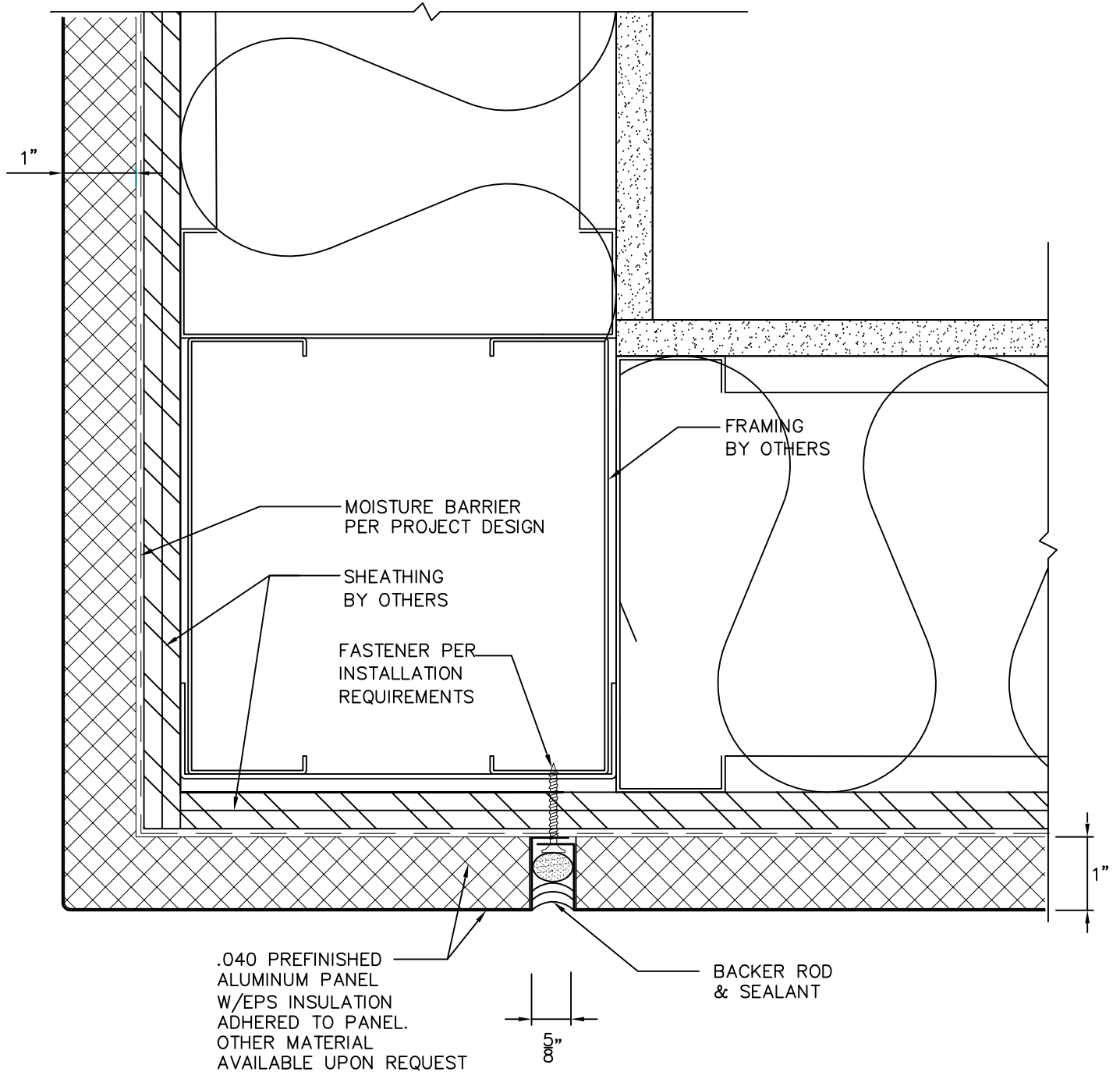
INSIDE CORNER



Pacific Panel Systems

P.O. Box 2170
Fairview, Or 97024
office: 503-667-0650
fax: 503-296-2441
info@pacificpanelsystems.com

D-10
SOFFIT



Pacific Panel Systems

P.O. Box 2170

Fairview, Or 97024

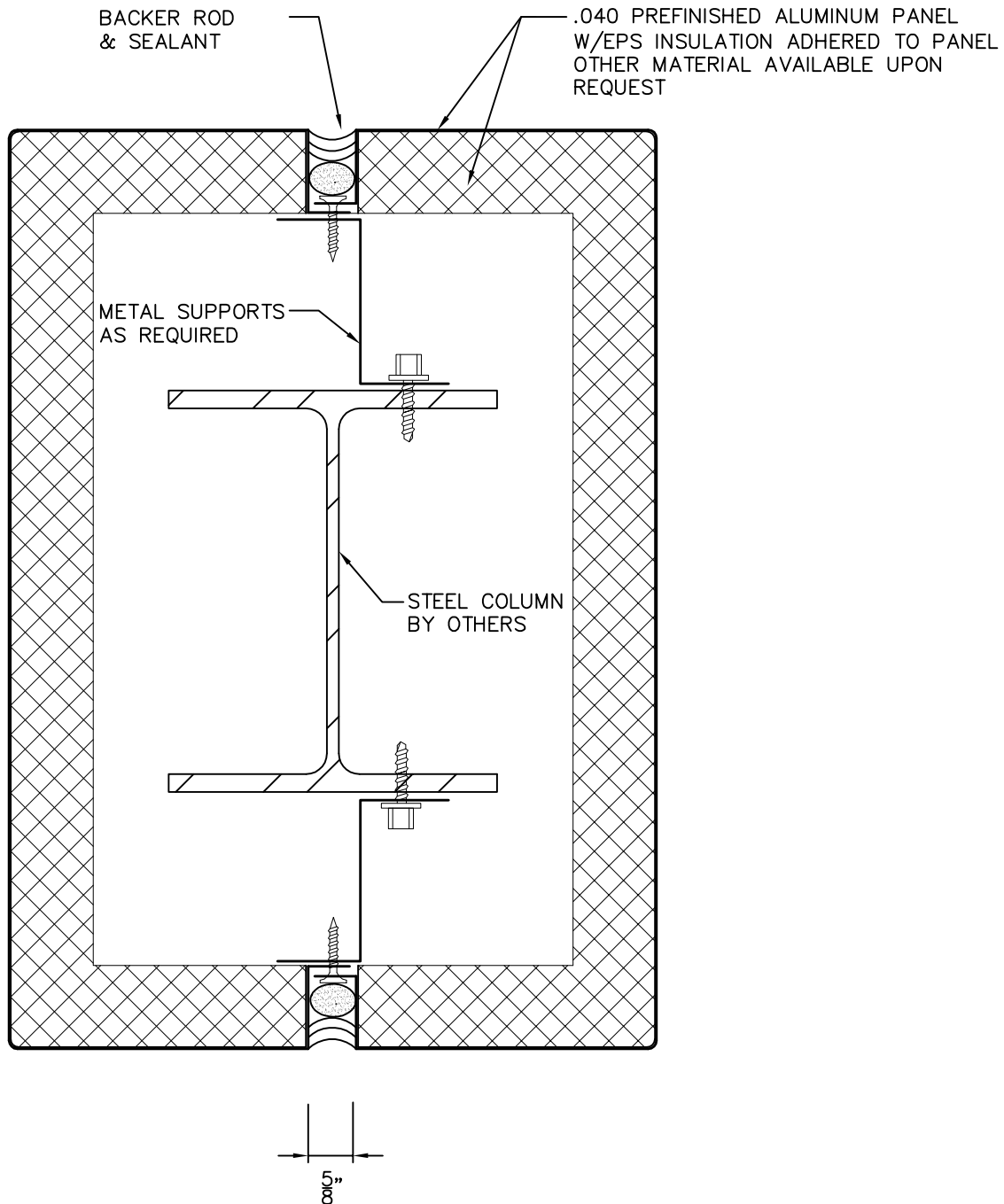
office: 503-667-0650

fax: 503-296-2441

info@pacificpanelsystems.com

D-11

RECTANGULAR COLUMN COVER



Pacific Panel Systems

P.O. Box 2170

Fairview, Or 97024

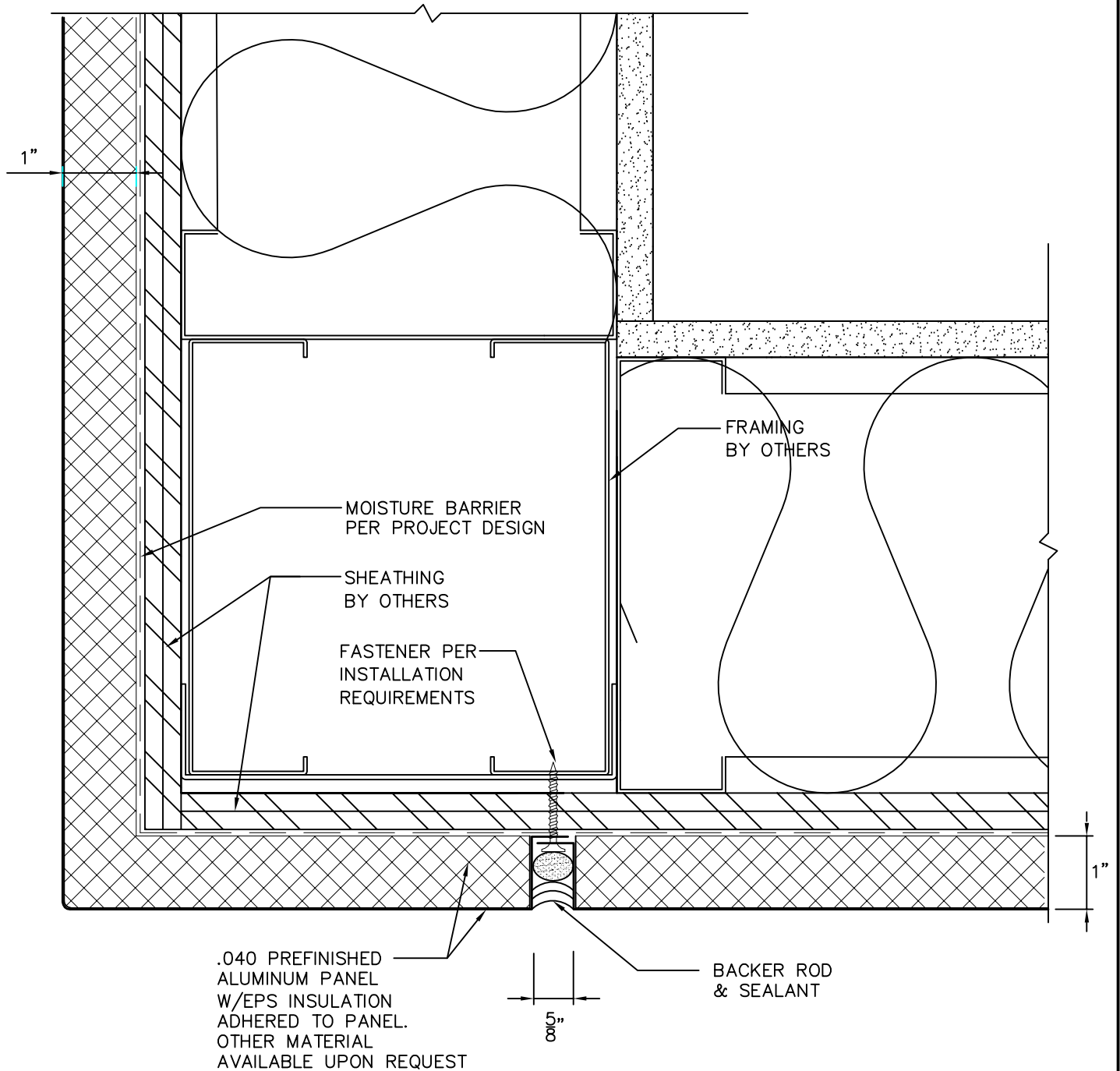
office: 503-667-0650

fax: 503-296-2441

info@pacificpanelsystems.com

D-12

OUTSIDE CORNER



Pacific Panel Systems

P.O. Box 2170

Fairview, Or 97024

office: 503-667-0650

fax: 503-296-2441

info@pacificpanelsystems.com